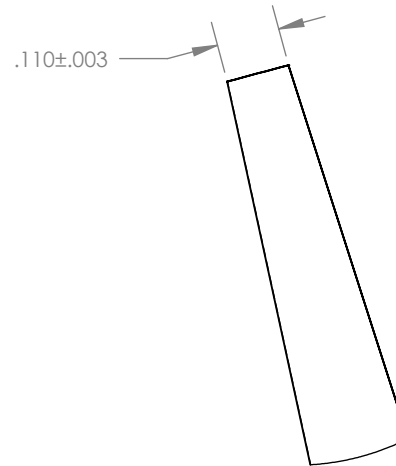
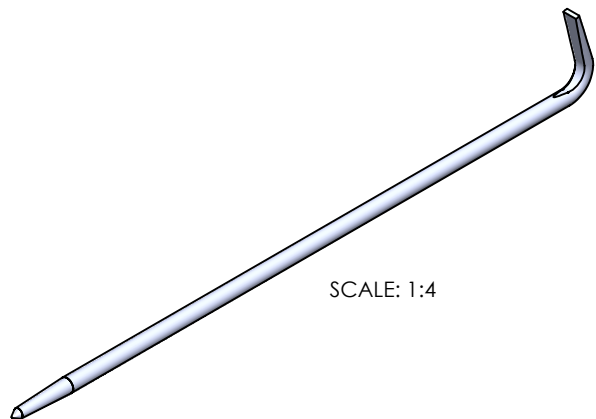



DETAIL A
SCALE 3 : 1



DETAIL B
SCALE 3 : 1



SCALE: 1:4

UNLESS OTHERWISE SPECIFIED: DIMENSIONS ARE IN INCHES				TOLERANCES: X.XX= ± 0.13 X.XXX= ± 0.015 X.XXXX= -0.0015		 STERITOOL™ The Global Source for Stainless Steel Tools	
DRAWN	NAME	SIGN	DATE				
APPVD	A.T.		07.01.19			TITLE: 3/8" HEEL BAR	
MATERIAL: 17-4 MAGNETIC S.S.						PART NO. 10351	
THIS DRAWING IS THE PROPERTY OF STERITOOL, INC. ANY REPRODUCTIONS OR MODIFICATIONS OF THIS DRAWING OR ITS CONTENTS WITHOUT THE CONSENT OF STERITOOL, INC. IS PROHIBITED.						REV: A	
						SCALE: 1:2	